



Infection Prevention



Transducer Storage



Needle Guidance



Equipment Protection



PHILIPS

Ultrasound Imaging Accessories • Volume 7

WWW.CIVCO.COM

CIVCO's Needle Guidance Systems utilize a TWO-PART SYSTEM consisting of a reusable biopsy bracket and a disposable snap-on needle guide. The disposable needle guides snap onto the biopsy bracket, providing a fixed path for visualizing ultrasound-guided instrument placement procedures. Applications include tissue biopsy, fluid aspirations and catheter placement. SINGLE-ANGLE BRACKETS offer imaging professionals a fixed angle needle path during puncture procedures. MULTI-ANGLE BRACKETS offer professionals different angles for needle placement. Once the desired angle has been selected, a stainless steel pin locks the angle securely into position. The pin is removable from the bracket for easy reprocessing between patients. Brackets should be cleaned and disinfected according to your CIVCO User's Guide.

Ultra-Pro II™ Reusable Starter Kits

Each starter kit contains 5 sterile procedure kits including: needle guide, telescopically-folded CIV-Flex™ transducer cover, gel packet and colored elastic bands. U.S. patents 5,941,889.

C5-1

5, 9.6, 13.3, 20cm Depth



Ultra-Pro II™ style bracket

667-077

Replacement Kit 610-904

Lock Pin Kit 610-1007

C6-3

4, 6, 8.5, 12cm Depth



Ultra-Pro II™ style bracket

667-075

Replacement Kit 610-904

Lock Pin Kit 610-1007

C8-5*

3, 6.5, 10cm Depth



Ultra-Pro II™ style bracket

667-103

Replacement Kit 610-904

Lock Pin Kit 610-1007

*ONLY FOR USE ON HD9 AND HD15

C8-5

7.5cm Depth



Ultra-Pro II™ style bracket

613-229

Replacement Kit 610-904

C9-4

3.8, 7.5cm Depth



Ultra-Pro II™ style bracket

613-244

Replacement Kit 610-904

Lock Pin Kit 610-1007

c3540

9cm Depth



Ultra-Pro II™ style bracket

645-057

Replacement Kit 610-904

CA5-2

9cm Depth



Ultra-Pro II™ style bracket

645-067

Replacement Kit 610-904

CX L12-3

2, 4, 6cm Depth



Ultra-Pro II™ style bracket

667-091

Replacement Kit 610-904

Lock Pin Kit 610-1007

Ergo C5-2*

3, 6, 8.5, 12cm Depth



Ultra-Pro II™ style bracket

667-071

Replacement Kit 610-904

Lock Pin Kit 610-1007

*ONLY FOR USE ON ENVISOR WITH VISION 2007 (C-1) SOFTWARE UPGRADE

L8-4

1.5, 2.5cm Depth



Ultra-Pro II™ style bracket

667-064

Replacement Kit 610-904

Lock Pin Kit 610-1007

L9-3

1.5, 2.5cm Depth



Ultra-Pro II™ style bracket

667-070

Replacement Kit 610-904

Lock Pin Kit 610-1007

L1038

9cm Depth



Ultra-Pro II™ style bracket

645-059

Replacement Kit 610-608

L12-3

2cm Depth



Ultra-Pro II™ style bracket

645-068

Replacement Kit 610-904

L12-5 38mm

2cm Depth



Ultra-Pro II™ style bracket

613-177

Replacement Kit 610-904

P4-1 • S4-1

5, 10.3cm Depth



Ultra-Pro II™ style bracket

613-243

Replacement Kit 610-904

Lock Pin Kit 610-1007

P4-2

7.6cm Depth



Ultra-Pro II™ style bracket

613-206

Replacement Kit 610-904

Ultra-Pro II™ Reusable Starter Kits Continued

P6-3

6.3cm Depth



Ultra-Pro II™ style bracket

613-129

Replacement Kit 610-904

PA4-2 • S4-2

9cm Depth



Ultra-Pro II™ style bracket

667-069

Replacement Kit 610-904

S5-1 • S5-2

3, 6.5, 10cm Depth



Ultra-Pro II™ style bracket

667-102

Replacement Kit 610-904

Lock Pin Kit 610-1007

V6-2

5, 8cm Depth



Ultra-Pro II™ style bracket

667-074

Replacement Kit 610-904

Lock Pin Kit 610-1007

V7-3

6.2cm Depth



Ultra-Pro II™ style bracket

667-104

Replacement Kit 610-904

VL13-5

1.5, 2.5cm Depth



Ultra-Pro II™ style bracket

667-101

Replacement Kit 610-904

Lock Pin Kit 610-1007

X3-1

5, 7.6, 12cm Depth



Ultra-Pro II™ style bracket

667-073

Replacement Kit 610-904

Lock Pin Kit 610-1007

X6-1

3, 6.5, 10cm Depth



Ultra-Pro II™ style bracket

667-105

Replacement Kit 610-904

Lock Pin Kit 610-1007

Ultra-Pro II™ Disposable Needle Guides



- Directs devices according to on-screen software guidelines
- Large quick-release tab for easy detachment of needle from transducer
- Large funnel for device insertion
- Easy-to-read gauge size inserts
- Accepts 8.5FR & 14-23GA instruments (19GA not available)
- Designed for use with Ultra-Pro™ or Ultra-Pro II™ transducer brackets
- U.S. Patent No. 5,941,889

REF. #	PRODUCT DESCRIPTION	QTY.
610-699	Sterile Ultra-Pro II guide	24
610-579	Sterile Ultra-Pro II with 14 x 61cm (5.5" x 24") CIV-Flex cover (3D)	24
610-608	Sterile Ultra-Pro II with 14 x 91.5cm (5.5" x 36") telescopically-folded CIV-Flex cover (3D)	24
610-609	Sterile Ultra-Pro II with 17.8 x 91.5cm (7" x 36") telescopically-folded CIV-Flex cover (3D)	24
610-904	Sterile Ultra-Pro II with 14 x 147cm (5.5" x 58") telescopically-folded CIV-Flex cover (3D)	24
610-917	Sterile Ultra-Pro II with 17.8 x 147cm (7" x 58") telescopically-folded CIV-Flex cover (3D)	24

See additional Ultra-Pro™ Style Disposable Needle Guides continued on page 4.

Ultra-Pro 3™ Disposable Needle Guides



- Zero needle resistance for smooth movement
- Quick-release function
- Accepts 11-22GA instruments (19, 21GA not available)
- Designed for use with Ultra-Pro or Ultra-Pro II transducer brackets
- U.S. Patent No. 5,941,889

REF. #	PRODUCT DESCRIPTION	QTY.
610-918	Sterile Ultra-Pro 3 guide	24
610-901	Sterile Ultra-Pro 3 with 14 x 91.5cm (5.5" x 36") telescopically-folded CIV-Flex cover (3D)	24
610-919	Sterile Ultra-Pro 3 with 17.8 x 91.5cm (7" x 36") telescopically-folded CIV-Flex cover (3D)	24

Infiniti™ Reusable Starter Kits

Each starter kit contains 5 sterile procedure kits including: needle guide, telescopically-folded CIV-Flex™ transducer cover, gel packet and bands. U.S. Patent 6,379,307

L17-5



Infiniti style bracket
613-247
Replacement Kits:
610-889 & 610-1075



NEW! Smaller Gauge Guides

Infiniti Disposable Needle Guides

- For use during shallow and deep instrument placement
- Accepts 14 and 18GA or 20, 21/22 and 25GA instruments
- Replacement kits include: needle guide, transducer cover, gel packet and colored elastic bands
- U.S. Patent No. 6,379,307

REF. #	PRODUCT DESCRIPTION	QTY.
610-1073	Sterile Infiniti needle guide-20, 21/22, 25GA	24
610-1074	Sterile Infiniti needle guide-20, 21/22, 25GA with 14 x 91.5cm (5.5" x 36") CIV-Flex cover (3D)	24
610-1075	Sterile Infiniti needle guide-20, 21/22, 25GA with 14 x 147cm (5.5" x 58") CIV-Flex cover (3D)	24
610-1094	Sterile Infiniti needle guide-14, 18GA	24
610-1095	Sterile Infiniti needle guide-14, 18GA with 14 x 91.5cm (5.5" x 36") CIV-Flex cover (3D)	24
610-889	Sterile Infiniti needle guide - 14, 18GA with 14 x 147cm (5.5" x 58") telescopically-folded CIV-Flex cover (3D)	24



MAGGI II Plus™ Disposable Needle Guides

- Fits transducers accepting customized MAGGI style brackets
- Accepts instruments 14, 16, 18, 20 and 22GA in one convenient, single-use insert
- Select kits are packaged with sterile gel packet and colored elastic bands

REF. #	PRODUCT DESCRIPTION	QTY.
610-239	Sterile MAGGI II Plus with 14 x 61cm (5.5" x 24") CIV-Flex cover (3D)	24

CIVCO's reusable needle guidance system incorporates user flexibility through a multi-angle approach for desired angle of access through a simple adjustment of the angle thumbscrew. A large quick-release tab allows easy detachment of the device from the transducer providing physician flexibility during puncture procedures. Accepts 8.5FR - 23 gauge sizes. Needle guides are shipped non-sterile. Sterile transducer cover kits, cleaning brushes, replacement thumbscrews and angle thumbscrews sold separately.

NOTE: Reusable needle guides are recommended to follow FDA Guidelines for Reprocessing Ultrasound Transducer Assemblies including the use of a sterile barrier sheath, cleaning brush and proper cleaning and sterilization of the device between patients.

Reusable Needle Guidance System

Each starter kit contains 5 sterile procedure kits including: telescopically-folded CIV-Flex™ transducer cover, gel packet, bands and cleaning brushes.



Ergo C5-2 Reusable Needle Guide

REF. #	PRODUCT DESCRIPTION	QTY.
667-095	Non-sterile Ergo C5-2 reusable multi-angle needle guide (3, 6, 8.5, 12cm) with cleaning brush 22.9cm (9") (5)	1
667-096	Non-sterile Ergo C5-2 reusable multi-angle needle guide (3, 6, 8.5, 12cm) with 14 x 147cm (5.5" x 58") CIV-Flex cover (3D) (5) and cleaning brush 22.9cm (9") (5)	1
610-1027	Non-sterile angle thumbscrew-Philips (Ref. # 90676)	5
610-1025	Non-sterile endocavity guide thumbscrew-Philips (Ref. # 079-400)	5



C8-5 Reusable Needle Guide

REF. #	PRODUCT DESCRIPTION	QTY.
667-097	Non-sterile C8-5 reusable multi-angle needle guide (3, 6.5, 10cm) with cleaning brush 22.9cm (9") (5)	1
667-098	Non-sterile C8-5 reusable multi-angle needle guide (3, 6.5, 10cm) with 14 x 147cm (5.5" x 58") CIV-Flex cover (3D) (5) and cleaning brush 22.9cm (9") (5)	1
610-1026	Non-sterile guide thumbscrew-Philips (Ref. # 079-412)	5
610-1027	Non-sterile guide angle thumbscrew-Philips (Ref. # 90676)	5



S5-1 • S5-2 Reusable Needle Guide

REF. #	PRODUCT DESCRIPTION	QTY.
667-099	Non-sterile S5-1, S5-2 reusable multi-angle needle guide (3, 6.5, 10cm) and cleaning brush 22.9cm (9") (5)	1
667-100	Non-sterile S5-1, S5-2 reusable multi-angle needle guide (3, 6.5, 10cm) with 14 x 147cm (5.5" x 58") CIV-Flex cover (3D) (5) and cleaning brush 22.9cm (9") (5)	1
610-1026	Non-sterile guide thumbscrew-Philips (Ref. # 079-412)	5
610-1027	Non-sterile guide angle thumbscrew-Philips (Ref. # 90676)	5



L12-5 • L12-5 50mm Reusable Needle Guide

- Assures in-plane positioning when performing ultrasound-guided puncture procedures
- Stainless steel needle guide offers multiple angle capabilities
- Accepts 18gauge instruments

REF. #	PRODUCT DESCRIPTION	QTY.
613-209	Non-sterile L12-5, L12-5 50mm multi-angle bracket (1), 14 x 61 cm (5.5" x 24") CIV-Flex cover (3D) (5)	1

Multi-Pro 2000™ Reusable Starter Kits

Each starter kit contains 5 sterile procedure kits including: needle guide, telescopically-folded CIV-Flex™ transducer cover, gel packet and bands.

Ergo C5-2

7.5cm Depth



Multi-Pro 2000™ style bracket
613-241
Replacement Kit 610-133

7-4 L 40 • L5 38mm L7-4 • LA5 HRS

2.5cm Depth



Multi-Pro 2000™ style bracket
613-203
Replacement Kit 610-133

C3 • C5 • C7-4 • C4-2 C5-2 • CLA 4.0

7.5cm Depth



Multi-Pro 2000™ style bracket
613-200
Replacement Kit 610-133



Multi-Pro 2000 Disposable Needle Guides

- Safe and efficient means for performing ultrasound-guided biopsies
- Includes inserts for 14, 16, 18, 20, 22 and 25GA instruments
- Select kits conveniently packaged with gel packet and bands

REF. #	PRODUCT DESCRIPTION	QTY.
610-131	Sterile Multi-Pro 2000	24
610-133	Sterile Multi-Pro 2000 with 14 x 61cm (5.5" x 24") CIV-Flex cover (3D)	24
610-134	Sterile Multi-Pro 2000 with 17.8 x 61cm (7" x 24") CIV-Flex cover	24



CIVCO Medical Solutions is the leader in infection prevention and offers numerous single-use products to protect patients and help hospitals reduce hospital-acquired infections resulting from cross-contamination.

Keep it Sterile with CIVCO.



Latex-Free Polyethylene Covers

- Economically-priced
- Safe means for reducing cross-contamination
- Select covers offer 3D "box end"
- Covers packaged with sterile gel packet and colored elastic bands

REF. #	PRODUCT DESCRIPTION	QTY.
610-013	Sterile 5 x 61cm (2" x 24") flat-folded polyethylene cover	24
610-015	Sterile 10.2 x 61cm (4" x 24") flat-folded polyethylene cover (3D)	24
610-1050	Sterile 15.2 x 25.4cm (6" x 10") flat-folded polyethylene cover (no gel)	24
610-208	Sterile 15.2 x 83.8cm (6" x 33") flat-folded polyethylene cover	24
610-989	Sterile 15.2 x 147cm (6" x 58") telescopically-folded polyethylene cover	24
610-020	Sterile 17.8 x 61cm (7" x 24") polyethylene cover	24
610-022	Sterile 22.9 x 61cm (9" x 24") polyethylene cover	24



NEW!

Latex-Free Super-Extended Length CIV-Flex™ Covers

- The new 96" cover provides complete transducer sterility from transducer array to connector
- Ultrasound covers improve patient infection control rates by preventing cross-contamination at minimal cost per procedure
- Sterile procedure kits include: transducer cover, sterile gel packet and colored elastic bands

REF. #	PRODUCT DESCRIPTION	QTY.
610-1119	Sterile CIV-Flex cover kit 10.2 x 244 cm (4" x 96") CIV-Flex cover	24
610-1120	Sterile CIV-Flex cover kit 14 x 244 cm (5.5" x 96") CIV-Flex cover	24
610-1121	Sterile CIV-Flex cover kit 17.8 x 244 cm (7" x 96") CIV-Flex cover	24



Latex-Free Telescopically-Folded Extended-Length CIV-Flex Covers

- Extended lengths of 36" and 58" offer additional sterile protection
- Sterile procedure kits include: transducer cover, sterile gel packet and colored elastic bands

REF. #	PRODUCT DESCRIPTION	QTY.
610-637	Sterile 8.9 x 91.5cm (3.5" x 36") CIV-Flex cover	24
610-1000	Sterile 10.2 x 147cm (4" x 58") CIV-Flex cover	24
610-1064	Sterile 10.2 x 147cm (4" x 58") CIV-Flex cover (3D) (no gel)	24
610-542	Sterile 14 x 91.5cm (5.5" x 36") CIV-Flex cover (3D)	24
610-575	Sterile 14 x 147cm (5.5" x 58") CIV-Flex cover (3D)	24
610-1010	Sterile 17.8 x 147cm (7" x 58") CIV-Flex cover (3D)	24



Latex-Free Flat-Folded CIV-Flex Covers

- Soft, pliable latex-free material
- Offers sterile protection when performing routine puncture and drainage procedures
- Sterile procedure kits include: transducer cover, sterile gel packet and colored elastic bands

REF. #	PRODUCT DESCRIPTION	QTY.
610-323	Sterile 6 x 91.5cm (2.5" x 36") CIV-Flex cover	24
610-001	Sterile 8.9 x 61cm (3.5" x 24") CIV-Flex cover	24
610-002	Sterile 14 x 61cm (5.5" x 24") CIV-Flex cover (3D)	24
610-004 (04510947)	Sterile 17.8 x 61cm (7" x 24") CIV-Flex cover	24
610-005	Sterile 22.9 x 61cm (9" x 24") CIV-Flex cover	24



Latex-Free Bulk Packaged CIV-Flex Covers

- Bulk packaged in easy-to-use box
- Offers added protection against cross-contamination between routine scanning procedures
- Non-sterile colored elastic bands included

REF. #	PRODUCT DESCRIPTION	QTY.
610-903	Non-sterile 14 x 30cm (5.5" x 11.8") CIV-Flex cover (3D)	50
610-362	Non-sterile 14 x 61cm (5.5" x 24") CIV-Flex cover (3D)	50



Tapered Latex Covers

- Rolled for easy application to a variety of transducers
- Extended lengths available
- Offers sterile coverage during general puncture and drainage procedures
- Packaged with sterile gel packet and colored elastic bands

REF. #	PRODUCT DESCRIPTION	QTY.
610-042	Sterile 4 x 30cm (1.6" x 11.8") latex cover	24
610-043	Sterile 5 x 30cm (2" x 11.8") latex cover	24
610-044	Sterile 8 x 45cm (3.2" x 18") latex cover	24
610-046	Sterile 10 x 45cm (3.9" x 18") latex cover	24



Ergonomic Probe Grip

For use with Philips S5-1 transducers

- Soft, ergonomic probe grip reduces strain resulting from prolonged hand flexion during scanning
- Latex-free
- Conforms to handle of transducer

REF. #	PRODUCT DESCRIPTION	QTY.
667-072	Non-sterile ergonomic probe grip	2



Transducer Storage Rack & Stabilizer

For use with Philips HD11, HDI 4000, HDI 5000, iU22 and iE33 transducers

- Provides a safe, convenient storage location for endocavity and general purpose transducers
- Sturdy, metal rack supports up to four transducers and four stabilizers
- Wall mounting hardware included
- Transducer stabilizer sold separately

REF. #	PRODUCT DESCRIPTION	QTY.
610-942	Transducer storage rack	1
610-957	Transducer stabilizer	1



Transducer Connector Enclosure Box

- Connector Box encloses transducer connector to protect it from fluid ingress
- Pressure fitting on the box allows users to pressurize and leak test the Connector Enclosure Box prior to each use
- Reduces potential fluid damage to your transducer connector

REF. #	PRODUCT DESCRIPTION	QTY.
8500-9540-01	CT8-4 Connector Enclosure Box	1
8000-2109-01	Seal replacement kit for large cables (8500-9540-01 replacement)	1
8500-9539-01	C8-5, CL10-5, CL15-7, LAP L9-5, L19-5, P12-5, P7-4 Connector Enclosure Box	1
8000-2108-01	Seal replacement for small cables (8500-9539-01 replacement)	1
8500-9598-01	Leakage tester pump	1

DISPOSABLE NEEDLE GUIDES

- Reduces technique variability, reducing procedure time
- Contoured design for patient comfort
- Disposable design reduces risks of cross-contamination
- Most guides accept 16-18 gauge instruments
- Packaged with cover, gel and bands to increase efficiencies

REUSABLE NEEDLE GUIDES

- Reduces technique variability, reducing procedure time
- Typically manufactured from stainless steel allowing autoclave sterilization
- Sleek design provides added patient comfort
- Most guides accept 16-18 gauge instruments



Disposable Endocavity Needle Guide

For use with Philips C9-5 ICT and C9-5ec transducers

- Directs minimally invasive instruments by following on-screen biopsy guidelines
- Select kits are conveniently packaged with covers, sterile gel and colored elastic bands
- Accepts 16-18GA instruments

REF. #	PRODUCT DESCRIPTION	QTY.
613-246	Sterile endocavity needle guide	24
613-245	Sterile endocavity needle guide, 2.6 x 20cm (1" x 7.9") latex cover	24

Note: For use with C9-5 ICT and C9-5ec transducers on HDI 5000 with Level 10.5 software and above, iU22, HD11 and HD11XE ultrasound systems.



Reusable Endocavity Needle Guide

For use with Philips C9-5 ICT, C9-5ec and 9-5 Endo 8 transducers

- Provides safe and efficient way to perform ultrasound-guided biopsies
- Secures to transducer by repositioning and tightening thumbscrew
- Accepts 16-22GA instruments

REF. #	PRODUCT DESCRIPTION	QTY.
613-242	Non-sterile endocavity needle guide, with cleaning brush 22.9cm (9") (5)	1
610-1025	Non-sterile endocavity thumbscrew-Philips (Ref. # 079-400)	5

Note: For use with C9-5ec transducer on HD11 ultrasound system.



Disposable Endocavity Needle Guide

For use with Philips C9-5 transducer

- Provides safe and efficient means of performing ultrasound-guided biopsies
- Disposable transition wedge and biopsy tubes available for use with older C9-5 needle guides
- Contact CIVCO for specific details

REF. #	PRODUCT DESCRIPTION	QTY.
613-052	Sterile reusable transition wedge (1) with needle guide tubes	10
613-057	Sterile reusable transition wedge (1) with needle guide tubes and 3.5 x 20cm (1.4" x 7.9") latex covers (2)	10

Note: These disposable transition wedges and biopsy tubes are available for use with older C9-5 ICT guides. Contact CIVCO for specific details.



Visit WWW.CIVCO.COM for all of your imaging needs.
CIVCO is your Complete Solutions Provider.



Disposable Transvaginal Needle Guide

For use with C8-4v, C9-3v, and C10-3v transducers

- Disposable design reduces risk of cross-contamination and reduces procedure prep/clean-up time
- Select kits are conveniently packaged with covers, sterile gel and colored elastic bands
- Accepts 16-18GA instruments

REF. #	PRODUCT DESCRIPTION	QTY.
667-089	Sterile transvaginal needle guide	24
667-090	Sterile transvaginal needle guide with 2.0 x 20cm (.8" x 7.9") latex cover, 3.5 x 20cm (1.4" x 7.9") latex cover	24



Reusable Transvaginal Needle Guide

For use with C8-4v, C9-3v, and C10-3v transducers

- Attaches to transducer by snapping to locator grooves
- Reusable guide ensures proper positioning for biopsy procedures
- Directs instruments according to on-screen biopsy guidelines
- Accepts 16-18GA instruments

REF. #	PRODUCT DESCRIPTION	QTY.
613-198	Non-sterile transvaginal needle guide with cleaning brush, 22.9cm (9") (5)	1



Reusable Transvaginal Needle Guide

For use with V9-4v transducer

- Attaches securely to transducer using thumbscrew closure
- Provides secure and stable fit to transducer
- Accepts 16-22GA instruments

REF. #	PRODUCT DESCRIPTION	QTY.
657-025	Non-sterile transvaginal needle guide, cleaning brushes (5) 22.9cm (9")(5)	1
610-1025	Non-sterile endocavity thumbscrew (Ref. # 079-400)	5



Disposable Transvaginal Needle Guide

For use with 3D9-3v transducer

- Guides biopsy and drainage procedures with ease and accuracy
- Select kits are conveniently packaged with covers, sterile gel and colored elastic bands
- Accepts 16-22GA instruments

REF. #	PRODUCT DESCRIPTION	QTY.
667-066	Sterile transvaginal needle guide, 11.9 tapered to 3.8 x 61cm (4.7" tapered to 1.5" x 24") CIV-Flex cover	24



Disposable Endocavity Needle Guide

For use with Bp10-5ec and C9-4ec transducers

- Snaps securely to transducer
- Zero needle resistance offers smooth movement and navigation
- Select kits are conveniently packaged with covers, sterile gel and colored elastic bands
- Accepts 16-18GA instruments

REF. #	PRODUCT DESCRIPTION	QTY.
610-958	Sterile endocavity needle guide	24
610-959	Sterile endocavity needle guide with 2.6 x 20cm (.8" x 7.9") latex cover, 3.5 x 20cm (1.4" x 7.9") latex cover	24

Note: For use with C9-4ec transducer on HD7 XE with level 3.0.1. software and above and HD9 ultrasound system.



Reusable Endocavity Needle Guide

For use with C9-4ec transducers

- Attaches securely to transducer using low profile fold-over clasp
- Contoured design provides secure and stable fit to locating features
- Accepts 16-18GA instruments

REF. #	PRODUCT DESCRIPTION	QTY.
657-024	Non-sterile endocavity needle guide with cleaning brush, 22.9cm (9"), (5)	1

Note: For use with C9-4ec transducer on HD7 XE with level 3.0.1. software and above and HD9 ultrasound system.



Disposable Endocavity Needle Guide (Long)

For use with E6509 transducer

- Recommended for transrectal and transvaginal procedures
- Select kits are conveniently packaged with covers, sterile gel and colored elastic bands
- Accepts 16-18GA instruments

REF. #	PRODUCT DESCRIPTION	QTY.
610-590	Sterile endocavity needle guide	24
610-588	Sterile endocavity needle guide with 11.9 tapered to 3.8 x 61cm (4.7" tapered to 1.5" x 24") CIV-Flex cover	24
610-693	Sterile endocavity needle guide with 2 x 20cm (.8" x 7.9") latex cover and 3.5 x 20cm (1.4" x 7.9") latex cover	24



Reusable Endocavity Needle Guide

For use with 6.5 IVT and C9-4ec transducers

- Directs minimally invasive instruments by following on-screen guidelines
- Reusable guide is secured to transducer by tightening and repositioning thumbscrew
- Accepts 16-18GA instruments

REF. #	PRODUCT DESCRIPTION	QTY.
610-1012 (613-238)	Non-sterile endocavity needle guide and cleaning brush 22.9cm (9") (5)	1
610-1025	Non-sterile endocavity thumbscrew-Philips (Ref. # 079-400)	5

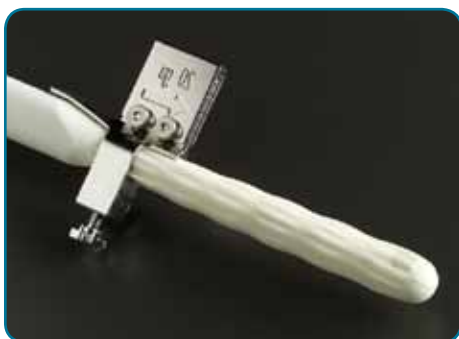


Disposable Endocavity Needle Guide

For use with (Agilent Technologies) E6514 and E7511 transducers

- Designed for transrectal biopsies and transvaginal guidance procedures
- Contoured design provides a secure fit to the transducer
- Accepts 16-18GA instruments

REF. #	PRODUCT DESCRIPTION	QTY.
610-139	Sterile endocavity needle guide	24



Reusable Transperineal Needle Guide

For use with BPTRT 9-5 transducer

- Provides safe and efficient means of performing ultrasound-guided procedures
- Easily slides into position on transducer and secures to probe by tightening thumbscrew
- Accepts 16-20GA instruments

REF. #	PRODUCT DESCRIPTION	QTY.
613-240	Non-sterile transperineal needle guide with 2 x 20cm (.8" x 7.9") latex cover (3), extension tube (3), 60cc syringe (3), 3-way stopcock (3)	1



Cleaning Brushes

- Designed for cleaning reusable needle guide cannulas
- Recommended for single-use with any reusable endocavity needle guide
- Manufactured from stainless steel wire
- Brushes offer 1/2" finger ring

REF. #	PRODUCT DESCRIPTION	QTY.
610-324	Endocavity needle guide cleaning brush, 22.9cm (9"), 18GA	5
610-951	Endocavity needle guide cleaning brush, 22.9cm (9"), 18GA	200



Scanning Kits

- For waterpath standoff procedures

REF. #	PRODUCT DESCRIPTION	QTY.
610-224	Non-sterile scanning kit with extension tube, syringe and stopcock	5
610-256	Sterile extension tubes, 53.3cm (21")	10
612-056	Non-sterile scanning kit with syringe (1), extension tube 53.3cm (21") (1), 3-way stopcock (1), 2 x 20cm (.8" x 7.9") latex covers (24)	24
610-058	Non-sterile 3.5 x 20cm (1.4" x 7.9") latex cover with syringe (1), extension tube (1), stopcock (1) and a bag of bands (1)	48



Fingercots & Series 500, 550, 620 Covers

- Recommended for use on rectal probes
- Bulk packaged non-sterile

REF. #	PRODUCT DESCRIPTION	QTY.
610-038	Non-sterile 2 x 7cm (.8" x 2.8") latex fingercot	100
610-316	Non-sterile 1.5 x 7cm (.6" x 2.8") latex fingercot	100
610-773	Non-sterile Series 500, 550 1.3 x 5.8cm (.5" x 2.3") latex cover (rolled)	50
610-774	Non-sterile Series 620 1.8 x 25.5cm (.7" x 10") latex cover with bands	50



NEW!

Latex-Free NeoGuard™ Covers

- Rolled, latex-free material designed for ultrasound use
- Recommended for patients and professionals with latex protein sensitivities
- Available for many transducers
- Covers include colored elastic bands
- Sterile gel packets available separately

REF. #	PRODUCT DESCRIPTION	QTY.
610-843	Sterile 2.6 x 30cm (1" x 11.8") NeoGuard cover	24
610-1038	Sterile 2.6 x 30cm (1" x 11.8") NeoGuard cover	50
610-836	Non-sterile 2.6 x 30cm (1" x 11.8") NeoGuard cover	24
610-1039	Non-sterile 2.6 x 30cm (1" x 11.8") NeoGuard cover	50
610-844	Sterile 4 x 30cm (1.6" x 11.8") NeoGuard cover	24
610-838	Non-sterile 4 x 30cm (1.6" x 11.8") NeoGuard cover	24
610-1126	NEW • Sterile 2 x 30cm (.8" x 11.8") NeoGuard cover	24
610-1127	NEW • Non-sterile 2 x 30cm (.8" x 11.8") NeoGuard cover	24



Latex-Free CIV-Flex™ Covers

- Soft, pliable material provides comfort
- Acoustically transparent, offering distortion-free imaging
- Slides easily over transducers
- Recommended alternative for latex-sensitive patients and professionals
- Sterile cover kits include gel and colored elastic bands

REF. #	PRODUCT DESCRIPTION	QTY.
610-006	Sterile 11.9 tapered to 3.8 x 61cm (4.7" tapered to 1.5" x 24") flat-folded CIV-Flex cover, gel	24
610-007	Non-sterile 11.9 tapered to 3.8 x 61cm (4.7" tapered to 1.5" x 24") flat-folded CIV-Flex cover (no gel)	24



NEW 3D/4D Cover!

Latex-Free Eclipse® Cover

- Now available for both 2D and 3D/4D ultrasound transducers
- Latex-free, pliable, polyethylene material
- Pre-gelled with Aquasonic® 100 transmission gel
- Reduces concerns of cross-contamination and protects the transducer during procedures

REF. #	PRODUCT DESCRIPTION	QTY.
610-792	Non-sterile 6.3 tapered to 4.6 x 24.1cm (2.5" tapered to 1.8" x 9.5") polyethylene cover with gel	100
610-1102	Non-sterile 8.3 tapered to 4.1 x 24.1cm (3.3" tapered to 1.6" x 9.5") polyethylene cover with gel (Ref. # 38-03)	100

Visit WWW.CIVCO.COM/PHILIPS for additional products and system compatibility information.



Latex PROcovers™

- High-quality, custom-sized
- Provides defense against cross-contamination
- Includes colored elastic bands

REF. #	PRODUCT DESCRIPTION	QTY.
610-075	Sterile 2 x 20cm (.8" x 7.9") latex cover	24
610-039	Non-sterile 2 x 20cm (.8" x 7.9") latex cover	24
610-212	Sterile 2 x 30cm (.8" x 11.8") latex cover	24
610-076	Sterile 2.6 x 20cm (1" x 7.9") latex cover	24
610-040	Non-sterile 2.6 x 20cm (1" x 7.9") latex cover	24
610-213	Sterile 2.6 x 30cm (1" x 11.8") latex cover	24
610-101	Non-sterile 2.6 x 30cm (1" x 11.8") latex cover	24
610-041	Non-sterile 4 x 30cm (1.6" x 11.8") latex cover	24



Bulk Packaged Latex Covers

- As low as 19 cents per cover
- Packaged in protective light-sensitive bags for extended shelf life
- Provides protection against cross-contamination
- Colored elastic bands sold separately

REF. #	PRODUCT DESCRIPTION	QTY.
610-249	Non-sterile 3.5 x 20cm (1.4" x 7.9") latex cover	100
610-262	Non-sterile 3.5 x 20cm (1.4" x 7.9") latex cover	500



3.5 x 20cm Latex Covers

- Conveniently packaged in individual perforated packets
- Looser fitting rolled latex cover
- Provides protection from cross-contamination
- Elastic bands included with each cover

REF. #	PRODUCT DESCRIPTION	QTY.
610-214	Sterile 3.5 x 20cm (1.4" x 7.9") latex cover	50
610-011	Non-sterile 3.5 x 20cm (1.4" x 7.9") latex cover	24
610-010	Non-sterile 3.5 x 20cm (1.4" x 7.9") latex cover	50



Endocavity Transducer Soaking Cup

- Accommodates two transducers, including larger 3D probes
- Recommended for use with glutaraldehyde cold chemical disinfecting/sterilizing solutions
- Holds up to 120 fl. oz. of disinfecting liquid
- Kit includes 12" x 5" polyethylene cup, lid, mounting hardware and contoured funnels for smaller transducers

REF. #	PRODUCT DESCRIPTION	QTY.
610-584	Starter kit with bracket, polyethylene cup, lid, smaller-white funnel, larger-blue funnel and mounting hardware	1
610-585	Replacement kit with cup, lid, smaller-white funnel (3) and larger-blue funnel (3)	3
610-586	Soaking cup stabilizer, rubber feet (5), assembly hardware	1



Latex-Free Surgi-Boot™ Intraoperative Covers

For use with CL10-5, CL15-7, and L15-7io transducers

- Extends field of sterile protection against cross-contamination
- Latex-free, form-fitting tip provides snug fit to small footprint transducers
- Individually packaged with sterile gel packet and colored elastic bands

REF. #	PRODUCT DESCRIPTION	QTY.
610-797	Sterile 15.2 x 244cm (6" x 96") poly telescopically-folded cover with attached form-fitting latex-free NeoGuard tip	12



Latex-Free Surgi™ Intraoperative Covers

- Polyethylene cover accordion-folded for easy application to transducers
- Extends up transducer and cord 2.4 meters (eight feet) for additional sterile protection
- Flat-folded cover also available
- Select covers include gel packets and colored elastic bands

REF. #	PRODUCT DESCRIPTION	QTY.
610-023	Sterile 15.2 tapered to 7.6 x 244cm (6" tapered to 3" x 96") accordion-folded cover (no gel)	12
610-367	Sterile 15.2 tapered to 7.6 x 244cm (6" tapered to 3" x 96") accordion-folded cover	12
610-217	Sterile 15.2 tapered to 7.6 x 244cm (6" tapered to 3" x 96") flat-folded cover	24



Latex-Free Surgi with Nose Cone Intraoperative Covers

For use with Philips (ATL Ultrasound) Access A, B, C, 725B and WAAA transducers

- Includes customized nose cone for scanning
- Extends up transducer and cord 2.4 meters (eight feet) for additional sterile protection
- Individually packaged with gel packet, colored elastic bands and polyethylene nose cone

REF. #	PRODUCT DESCRIPTION	QTY.
610-664	Sterile 15.2 tapered to 7.6 x 244cm (6" tapered to 3" x 96") accordion-folded cover with nose cone (small)	10
610-665	Sterile 15.2 tapered to 7.6 x 244cm (6" tapered to 3" x 96") accordion-folded cover with nose cone (large)	10



Intraoperative Pyrogen-Free Transducer Covers

- Provides sterile, pyrogen-free barrier
- Protects against cross-contamination
- Prevents transducer contact with patients suffering from Creutzfeldt-Jakob Disease (CJD)
- Latex-free, CIV-Flex™ cover includes sterile gel packet and colored elastic bands

REF. #	PRODUCT DESCRIPTION	QTY.
610-1107	Sterile pyrogen-free 8.9 x 147cm (3.5"x 58") telescopically-folded CIV-Flex cover	24
610-956	Sterile pyrogen-free 7.6 tapered to 4.1 x 147cm (3" tapered to 1.6 x 58") telescopically-folded CIV-Flex cover	24



Latex-Free Surgi-Tip™ Intraoperative Covers

- Provides snug fit to small footprint transducers
- Accordion or telescopically-folded for easy application
- Extended sterile coverage for transducer and cord
- Covers include: sterile gel packet, probe clips and colored elastic bands

REF. #	PRODUCT DESCRIPTION	QTY.
610-1072	Sterile 15.2 x 244cm (6" x 96") accordion-folded cover with attached 3cm (1.2") latex-free NeoGuard tip with clips	12
610-833	Sterile 15.2 x 244cm (6" x 96") poly telescopically-folded cover with attached 3cm (1.2") latex-free NeoGuard tip with clips	12
610-834	Sterile 20.3 x 244cm (8" x 96") poly telescopically-folded cover with attached 6cm (2.4") latex-free NeoGuard tip with clips	12

Latex-Free Intraoperative System Drapes & Cord Covers

- Cord cover and system drape provides wide sterile field
- Probe clips and colored elastic bands included with all cord covers
- Adhesive tape included with each system drape

REF. #	PRODUCT DESCRIPTION	QTY.
610-1037	Sterile 50.8 x 71.1cm (20" x 28") polyethylene system drape, tape strips (4)	24
610-025	Sterile 76 x 76cm (30" x 30") polyethylene system drape	24
610-024	Sterile 7.6 x 244cm (3" x 96") polyethylene cord cover	24



Latex T-Shaped Surgi™ Intraoperative Cover

For use with 15-6L transducer

- Extends length of transducer cord
- Provides up to 2.4 meters (eight feet) of sterile protection
- Each cover packaged with sterile gel packet and colored elastic bands

REF. #	PRODUCT DESCRIPTION	QTY.
645-058	Sterile 15.3 x 244cm (6" x 96") polyethylene accordion-folded cover with attached form-fitting latex tip	12



Latex-Free Laparoscopic Cover

For use with LAP L9-5 transducer

- Form-fitting tipped transducer cover fits standard 10mm laparoscopic transducers (requires 12mm trocar)
- Extends up transducer and cord 2.4 meters (eight feet) for additional sterile protection
- Individually packaged with lubricant and probe clips

REF. #	PRODUCT DESCRIPTION	QTY.
610-941	Sterile 15.2 x 244cm (6" x 96") poly telescopically-folded cover with attached form-fitting latex-free tip with clips	12



TEE Transducer Holder

For use with Philips microTEE, Omni III, S7-2t, S7-3t, S8-3t, T6207 and X7-2t transducers

Visit WWW.CIVCO.COM/cardiology for more details

- Allows for stable and accurate positioning, while holding transducer in a fixed location for extended period of time
- Ergonomic design allows hands to be free, reducing the risk of repetitive stress injuries
- Attaches to most IV poles, tables and surgical rails
- Features a stable single-arm fixation with a single-point locking mechanism to quickly and easily lock the holder into position
- Reduces risk of stretching corners of patient’s mouth over extended procedure time

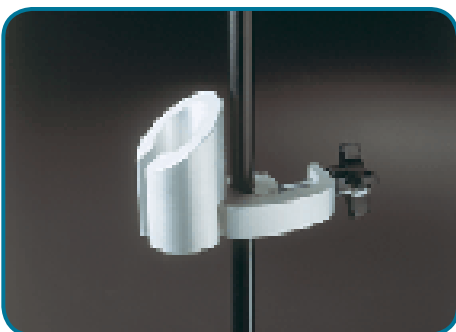
REF. #	PRODUCT DESCRIPTION	QTY.
811-052 (811-056)	TEE Holder Kit with TEE Holder (1) Rail Adapter (1) and non-sterile 4.6 tapered to 2.5 x 122cm (1.8" tapered to 1" x 48") CIV-Flex cover on applicator, gel filled syringe and bite block (12) - Philips (Ref. #8104)	1
811-053 (811-057)	TEE Holder Kit with TEE Holder (1), Table Adapter (1), and non-sterile 4.6 tapered to 2.5 x 122cm (1.8" tapered to 1" x 48") CIV-Flex cover on applicator, gel filled syringe and bite block (12) - Philips (Ref. #8104)	1



Latex-Free CIV-Flex™ TEE Covers & Bite Blocks

- Custom tapered design provides tighter fit to adult, small adult and pediatric TEE transducers
- Cover provides a defense against cross-contamination while protecting the transducer
- Form-fitting cover is preloaded on applicator for ease of application to TEE transducer
- Bite blocks provide a safe passage through the patient’s mouth.

REF. #	PRODUCT DESCRIPTION	QTY.
610-979	Non-sterile latex-free E-Z Guard™ pediatric bite block with strap	24
610-160	Non-sterile latex-free E-Z Guard™ adult bite blocks without strap	24
610-749	Non-sterile latex-free E-Z Guard™ adult bite blocks with strap	24
610-933	Sterile 4.6 tapered to 2.5 x 122cm (1.8" tapered to 1" x 48") CIV-Flex cover on applicator and gel packet	12
610-840	Non-sterile 4.6 tapered to 2.5 x 122cm (1.8" tapered to 1" x 48") CIV-Flex cover on applicator, gel-filled syringe and bite block	12
610-860	Non-sterile 4.6 tapered to 2.5 x 122cm (1.8" tapered to 1" x 48") CIV-Flex cover on applicator	12
610-1013	Sterile cover 3.8 tapered to 1.7 x 91.4cm (1.5" tapered to .7" x 36") CIV-Flex cover and gel packet	12
610-1014	Non-sterile cover 3.8 tapered to 1.7 x 91.4cm (1.5" tapered to .7" x 36") CIV-Flex cover, gel-filled syringe, and bite block	12



TEE Transducer Holder for the Operating Room

- Specifically for use in the OR and is compatible with most TEE probes
- Securely holds the handle of the probe
- Comes with a mounting clamp that attaches to a standard IV pole
- TEE Transducer Holder can be disinfected or sterilized by ethylene oxide, autoclave or MetriCide® and Cidex® cold chemical soaking

REF. #	PRODUCT DESCRIPTION	QTY.
610-729	TEE probe holder for the OR	1



Latex-Free Foam Tip Guards

- Single-use, cylindrical foam protectors
- Fits over distal tip of laparoscopic & pediatric TEE transducers
- Protects from damage during storage and transportation between patients
- Recommended for single-use
- Latex-Free Tip Guard

REF. #	PRODUCT DESCRIPTION	QTY.
610-748	Non-sterile foam tip guard	24



Latex-Free Pediatric TEE Tip Guards

For use with Philips S7-3t transducer

- Cylindrical plastisol protectors fit over the distal tip of a transesophageal transducer
- Protects transducer from damage during storage and transportation between patients
- Recommended for single-use

REF. #	PRODUCT DESCRIPTION	QTY.
610-1009	Non-sterile pediatric TEE tip guards	24



Latex-Free TEE Tip Guard

For use with Philips X7-2t transducer

- Cylindrical plastisol protectors fit over the distal tip of a transesophageal transducer
- Protects transducer from damage during storage and transportation between patients
- Recommended for single-use
- Latex-Free Tip Guard

REF. #	PRODUCT DESCRIPTION	QTY.
667-094	Non-sterile TEE tip guard-Philips X7-2t (gray) (Ref. # 453561326791)	24



Latex-Free TEE Tip Guards

For use with Philips Omni III and S7-2 transducers

- Cylindrical plastisol protectors fit over the distal tip of a transesophageal transducer
- Protects transducer from damage during storage and transportation between patients
- Recommended for single-use
- Latex-Free tip guard

REF. #	PRODUCT DESCRIPTION	QTY.
610-945	Non-sterile TEE tip guard (yellow)	24



Latex-Free TEE Tip Guards

For use with Philips microTEE and S8-3t transducers

- Single-use cylindrical foam protectors fit over the distal tip of pediatric & adult transesophageal transducers
- Protects transducer from damage during storage and transportation between patients
- Recommended for single-use
- Latex-Free Tip Guard

REF. #	PRODUCT DESCRIPTION	QTY.
610-1110	Non-sterile TEE tip guard-Philips microTEE (white) (Ref. # 453561429541)	24
610-1111	Non-sterile TEE tip guard-Philips S8-3t (white) (Ref. # 453561409462)	24

NEW!



PHILIPS TEE TRANSDUCER ELECTRICAL LEAKAGE TESTER

For use with TEE transducers from Philips (Agilent Technologies and Hewlett-Packard)

The portable ULT800 TEE Electrical Leakage Tester is a simple-to-use battery operated electrical leakage tester for pass/fail testing of diagnostic ultrasound transducers including TEE probes. The device is designed for use by sonographers and technicians performing routine cleaning, disinfection and testing of TEE transducers. International standards require electrical leakage testing of diagnostic ultrasound transducers. Clinical standards of care require cleaning and disinfection of ultrasound transducer between each patient. Beyond patient safety concerns about micro-shock hazards, performing electrical leakage tests on diagnostic ultrasound transducers can identify faults in shielding that indicate the need for repair at a lower cost to the user. Failing to test and waiting for more obvious indications of transducer failure may require significantly higher repair or transducer replacement costs. Convenient kits are available for Philips (Agilent Technologies and Hewlett-Packard) and the SONOS series ultrasound systems. Each system carries a 1-year warranty from the manufacturer.



A system compatibility chart is available at: WWW.CIVCO.COM/PHILIPS

REF. #	PRODUCT DESCRIPTION	QTY.
TEE Transducer Electrical Leakage Tester Kits		
667-078	Philips iE33, iU22, HD11 and SONOS 4500-7500 Kit ULT800 Electrical Leakage Tester, TEE transducer adapters, dual conductivity electrode, disinfecting/testing basin (Ref. # 2739717)	1
667-079	Philips iE33, iU22, HD11 Kit ULT800 Electrical Leakage Tester, TEE transducer adapters, dual conductivity electrode, disinfecting/testing basin (Ref. # 2674151)	1
667-080	Philips SONOS 4500-7500 Kit ULT800 Electrical Leakage Tester, TEE transducer adapters, dual conductivity electrode, disinfecting/testing basin (Ref. # 2674160)	1
Adapters Only (Requires the ULT800 Electrical Leakage Tester)		
667-081	TEE Transducer Adapter-Philips SONOS 4500-7500 (Ref. # 2392482)	1
667-082	TEE Transducer Adapter-Philips CX50, iE33, iU22, HD11 (Ref. # 2649837)	1

BANDS & CLIPS	REF. #	QTY.
Non-sterile latex-free bands, 1.6cm (.63"), large, orange	610-689	100
Non-sterile probe clips, small	610-125	100
Non-sterile probe clips, VNAV	610-1033	25
Nasal probe (1), disposable nose clips (5)	4000-0716-02	1
Non-sterile disposable nose clips	8000-1373-01	25
PATIENT POSITIONING	REF. #	QTY.
NEW • Non-sterile KanguruWeb Universal Base Unit (Ref. # RB2555)	610-1047	1
NEW • Non-sterile KanguruWeb disposable web (Ref. # DW1000)	610-1048	10
GENERAL PURPOSE STANDOFFS	REF. #	QTY.
Disposable Aquaflex gel pads (Ref. # 04-02)	610-113	6
Acoustic standoff, 1 x 10 x 15cm (.4" x 4" x 6")	610-459	1
Acoustic standoff, 2 x 10 x 15cm (.8" x 4" x 6")	610-460	1
Sterile Hydroscan couplant sheets, 10 x 15cm (4" x 6")	610-346	5
TRANSDUCER POSITIONING	REF. #	QTY.
Non-sterile positioning arm kit with positioning arm 32.4" (82.3cm) (Ref. #810-200), rail adapter-90 degree, 1.1" x .38" (2.8cm x 1cm) (Ref. # 810-106), multi-purpose holder (Ref. # 810-202) and sterile 25.4 tapered to 5.1 x 121.9cm (10" tapered to 2" x 48") telescopically-folded CIV-Flex cover with Quick-Mount™ perforation (5) (Ref. #610-932)	811-001	1
Non-sterile positioning arm kit with positioning arm 32.4" (82.3cm) (Ref. #810-200), table adapter 1" (2.5cm) (Ref. #810-100), multi-purpose holder (Ref. # 810-202) and sterile 25.4 tapered to 5.1 x 121.9cm (10" tapered to 2" x 48") telescopically-folded CIV-Flex cover with Quick-Mount perforation (5) (Ref. #610-932)	811-002	1

Non-sterile positioning arm kit with positioning arm-extended length, 40.4" (102.6cm) (Ref. #810-205), rail adapter- 90 degree, 1.1" x .38" (2.8cm x 1cm) (Ref. #810-106), multi-purpose holder (Ref. #810-202) and sterile 25.4 tapered to 5.1 x 121.9cm (10" tapered to 2" x 48") telescopically-folded CIV-Flex cover with Quick-Mount perforation (5) (Ref. #610-932)	811-003	1
Non-sterile positioning arm kit with positioning arm-extended length, 40.4" (102.6cm) (Ref. #810-205), table adapter 1" (2.5cm) (Ref. # 810-100), multi-purpose holder (Ref. #810-202) and sterile 25.4 tapered to 5.1 x 121.9cm (10" tapered to 2" x 48") telescopically-folded CIV-Flex cover with Quick-Mount perforation (5) (Ref. #610-932)	811-004	1
Sterile 10" tapered to 2" x 48" (25.4 tapered to 5.1 x 121.9cm) telescopically-folded CIV-Flex cover with Quick-Mount™ perforation	610-932	48
ENDOCAVITY ACCESSORIES	REF. #	QTY.
Non-sterile latex-free o-rings, 1.6cm (.63"), black	610-751	100
Non-sterile latex-free o-rings, 1.9cm (.75"), white	610-145	100
Non-sterile latex-free o-rings, 2.3cm (.92"), white	610-752	25
Non-sterile latex bands, .8cm (.31"), small, green	610-690	500
Non-sterile latex bands, .8cm (.31"), small, green	610-691	10,000
ENDOCAVITY SOAKING STATION	REF. #	QTY.
Soaking station for one endocavity transducer, 110V/60Hz (Ref. #G10VP)	610-921	1
GUS vapor control system filter, 110/60Hz (Ref. #F10)	610-1101	1
Soaking station for two endocavity transducers, 110/60Hz (Ref. #G14KA)	610-720	1
GUS vapor control system filter, 110/60HZ (Ref. #F141)	610-1100	1
PATIENT LEADS & CABLES	REF. #	QTY.
Kendall Medi-Trace Patient ECG Cable, gray 3-lead connector w/ 6-position cable and 6-pin connector. 10' (3.1m) (Ref. #AA-2340, 31285144)	610-961	1
Philips ECG Safety Cable Lead Set, red/white/black shielded grabber. US AAMI color coding. 36" (91.5cm) (Ref. #M1603A)	610-967	1
Clear-backed electrode with snap (Ref. #2235)	610-738	50
Foam monitoring electrode with snap (Ref. #2259)	610-737	50
Soft cloth electrode with snap (Ref. #2238)	610-739	50
Resting electrode - adult (Ref. #CIV 310 R)	610-742	150
TEE POSITIONING, SOAKING & STORAGE	REF. #	QTY.
Soaking station for TEE, 110-220V (Ref. #G14-TC3)	610-850	1
Wall-mounted storage tube (Ref. #AC-SUTC)	610-851	1
NEW • TEE transducer storage rack (Ref. #AC-TCRK)	610-1046	1
TEE wall support	610-724	1
TEE storage container	610-725	1
TEE disinfection container, 44.5 oz	610-723	1
ULTRASOUND LOTION	REF. #	QTY.
Non-sterile Polysonic Ultrasound Lotion, 250ml bottles (Ref. #21-08)	610-1139	12
Non-sterile Polysonic Ultrasound Lotion, 3.8 liters with dispenser (Ref. #21-28)	610-1140	1
ULTRASOUND GEL	REF. #	QTY.
Aquage® 5 oz. flip-top tube (Ref. #57-05)	610-920	20
Aquasonic® 100, 20 gram sterile gel packets (Ref. #01-01)	610-117	48
Aquasonic® 100, .25ml liter bottles (Ref. #01-08)	610-130	12
Aquasonic 100, 100-20 gram gel packettes per dispenser box (Ref. #01-20)	610-1122	4
Aquasonic® 100, 5 liters, 1 dispenser bottle (Ref. #01-50)	610-116	1
Aquasonic® Clear, 5 liters econopack, 2 dispenser bottles (Ref. #03-54)	610-455	4

Scan™, 237ml bottle (Ref. #11-08)	610-892	12
Scan™, 1 gallon pump, 2 dispenser bottles (Ref. #11-28S)	610-123	4
Ultra/Phonic, 20ml sterile gel packets (Ref. #NDC36-1000-20)	610-057	25
GEL WARMERS	REF. #	QTY.
Gel and lotion warmer, three-bottle 110V (Ref. #201-786)	610-993	1
NEW • Thermasonic®, single-bottle gel warmer-120V (Ref. #82-01)	610-1020	1
NEW • Thermasonic®, 3-bottle gel warmer-120V (Ref. #82-03)	610-1022	1
SKIN MARKING PENS	REF. #	QTY.
Sterile SQUEEZE-MARK skin marking pen-medium tip	610-746	100
DISINFECTANTS	REF. #	QTY.
Cidex®, 14 day use, 1.25 gallon bottle (Ref. #735309)	610-640	4
Cidex, 14 day use test strips, 60 strips per bottle	610-803	2
Cidex Plus®, 28 day use, 1 gallon bottle (Ref. #2785)	610-641	4
Cidex Plus, 28 day use test strips, 60 strips per bottle	610-804	2
Cidex OPA®, 14 day use, 1 gallon bottle (Ref. #20390)	610-704	4
Cidex OPA test strips, 60 strips per bottle	610-714	2
MetriCide® 28, 28 day use, 1 quart bottle (Ref. #2805)	610-328	16
MetriTest® strips, 60 strips per bottle	610-805	2
Enzo®, 1 gallon bottle (Ref. #2252)	610-643	4
NEW • Glute-Out neutralizer, 2 oz. bottle (Ref. #NG-1GAL)	610-1045	24
Glute-Out neutralizer, .5oz bottles (Ref. #NG-QT)	610-1099	24
Spill kit with Glute-Out Neutralizer NG-5GAL bottle (2), impervious gown (2), organic respirator (1), waterproof shoes (2 pair), nitrile gloves (2 pair), safety goggles (1), absorbent mats (4), and bouffant caps (2) (Ref. #AC-SP1)	610-1098	1
DISINFECTANTS SPRAYS	REF. #	QTY.
DISPATCH® liquid spray, 22 oz. (Ref. #68967)	610-705	8
Protex™ disinfectant spray, 12 oz. (Ref. #42-12)	610-1079	12
T-Spray™ transducer spray, 250ml pump spray (Ref. #NDC36-3200-25)	610-154	12
T-Spray II™ transducer spray, 250ml pump spray (Ref. #NDC36-2102-25)	610-703	12
DISINFECTANTS TOWELETTES	REF. #	QTY.
Sani-Cloth HB® Germicidal Disposable Wipe, 15.3 x 17.1cm (6" x 6.75"), 160 sheets per dispenser (Ref. #Q08472)	610-991	12
Sani-Cloth HB Germicidal Disposable Wipe, 20.3 x 35.6cm (8" x 14"), 65 sheets per dispenser (Ref. #Q85484)	610-992	6
Sani-Cloth® PLUS Germicidal Dipsoable Wipe, (6" x 6.75") 160 sheets per dispenser (Ref. #Q89072)	610-943	12
Sani-Cloth PLUS Germicidal Disposable Wipe, (8" x 14") 65 sheets per dispenser (Ref. #Q85084)	610-944	6
CLEANSING SPRAYS	REF. #	QTY.
Transeptic® cleansing solution, 250ml pump spray (Ref. #09-25)	610-388	12
CLEANSING TOWELETTES	REF. #	QTY.
Towelettes, (7" x 6") 85 sheets per dispenser	610-128	6
PRINTING SUPPLIES	REF. #	QTY.
Ultrasound Print Frames	610-733	100
Chart insert for 1-4, 110mm thermal prints	610-735	200
Chart insert for 1-12 thermal prints	610-732	150

Top-binding print holder, 1-8 thermal prints (plastic)	610-734	100
FIDUCIAL MARKERS	REF. #	QTY.
Non-sterile PinPoint® multi-modality fiducial marker with general purpose sensor connection 1.3mm	610-1053	1
Non-sterile PinPoint multi-modality fiducial markers, 1.3mm diameter (Ref. #128)	610-1054	1
OPTICAL DISKS & CDs	REF. #	QTY.
Sony 3.5" MO Media, 128MB MOD, 512 bytes/sector (Ref. #EDM-128C)	610-630	5
Sony 3.5" MO Media, 230MB MOD, 512 bytes/sector (Ref. #EDM-230C)	610-631	5
Sony 3.5" MO Media, 540MB MOD, 512 bytes/sector (Ref. #EDM-540C2)	610-632	5
Sony 3.5" MO Media, 640MB MOD, 2048 bytes/sector (Ref. #EDM-640C2)	610-633	5
Mediscrite 3.5" MO Media, 230MB MOD, 512 bytes/sector (Ref. #MO-R230MBX5)	610-894	5
Mediscrite 3.5" MO Media, 640MB MOD, 512 bytes/sector (Ref. #MO-R640MBX5)	610-895	5
MITSUBISHI PRINT MEDIA	REF. #	QTY.
KP-61S b/w super grade paper for P-40U, P-50U, P-60U, P-61U, P-63UM, P-65U, P-67UA, P-68U, P-90U, P-90W, P-91 series and CP-700DU/DSU printers. 215 prints/roll	610-064	4 rolls/box
KP-65HM b/w high density paper with blue background for P-40U, P-63UM, P-65U, P-67UA, P-68U, P-90U, P-90W, P-91 series, P-93W, P-93DW, CP-700UM, CP-700DU/DSU and CP-770DW printers. 215 prints/roll	610-314	4 rolls/box
KP-70S b/w super grade paper for P-70U, P-71U, P-75U, P-78U and P-500W printers, 115 prints/roll	610-065	4 rolls/box
KP-91HG high gloss thermal paper for P-91W, P-91DW, P-91DW/UB, P-93W and P-93DW printers.	610-812	4 rolls/box
CK-700 color paper for use with CP-700DU, CP-700U, CP-700DSU, CP-750U, CP-700UM, CP-710U and CP-770SW printers. For use with PK-700L and PK-700S ink ribbons. 200 prints/roll.	610-628	10 rolls/box
PK-700L large format printer ink ribbon for use with CP-700DU, CP-700U, CP-700DSU, CP-750U, CP-700UM, CP-710U and CP-770DW printers. 130 prints.	610-623	10 ribbons/box
PK-700S standard format printer ink ribbon for use with CP-700DU/DSU, CP-700U, CP-750U, CP-700UM, CP-710U, and CP-770DW printers. 200 prints.	610-624	10 ribbons/box
CK-800L color paper for CP-800UM & CP-800E series color printers. 160 prints, ink sheet included.	610-758	1 roll/box
CK-800S color paper for CP-800UM & CP-800E series color printers. 160 prints, ink sheet included.	610-759	1 roll/box
CK-900L standard paper, L-size ink sheet for CP-900UM, CP-900DW and CP-910U printers.	610-813	130 sheets/box
CK-900S standard paper, S-size ink sheet for CP-900UM, CP-900DW and CP-910U printers.	610-814	200 sheets/box
MITSUBISHI PRINTERS	REF. #	QTY.
NEW • Mitsubishi CP-30W color printer	610-1042	1
NEW • Mitsubishi CP-910U color thermal printer	610-1044	1
SONY PRINT MEDIA	REF. #	QTY.
UPP-110HD b/w high density paper for UP-850, UP-D860, UP-870MD, UP-880, UP-890MD, UP-895MD, UP-D895, UP-897MD, UP-D897 printers. 110mm x 20m. 270 prints/roll.	610-072	10 rolls/box
UPP-110HA b/w dynamic range paper for UP-850, UP-880, UP-890MD, UP-D890 printers, 110mm x 18m, 240 prints/roll.	610-389	10 rolls/box
UPP-110HG b/w high density gloss paper for UP-895MD, UP-D895, UP-897MD, UP-D897 printers. 110mm x 18m. 240 prints/roll.	610-754	10 rolls/box
UPP-110S/5 (replaces UPP-110S/4) b/w standard paper for UP-810, UP-811, UP-850, UP-860, UP-870, UP-880, UP-890MD, UP-895MD, UP-D895MD, UP-897MD, UP-D897 printers. 110mm x 20m. 210 prints/roll.	610-071	10 rolls/box

UPP-210HD b/w high density paper for UP-910, UP-930, UP-960, UP-980 printers. 210mm x 25m. 130 prints/roll.	610-619	5 rolls/box
UPP-210SE b/w standard paper for UP-910, UP-930, UP-960, UP-980 printers. 210mm x 25m. 130 prints/roll.	610-620	5 rolls/box
UPT-210BL blue transparency film for use with UP-980 printer. 210mm x 12.5m. 42 prints/roll.	610-621	5 rolls/box
UPC-21S color print pack (S-size paper) for the UP-20, UP-21MD, UP-D21MD, UP-D23MD printers. 3 ink ribbons and 1 cleaning sheet.	610-858	240 prints/box
UPC-21L color print pack (L-size paper) for the UP-20, UP-21MD, UP-D21, UP-D21MD, UP-D23MD printers. 4 ink ribbons, 1 cleaning sheet.	610-857	200 prints/box
UPC-55 color print pack for the UP-55MD, UP-D55MD printer. Includes 2 ink ribbons.	610-931	200 sheets/box
UPC-510 color print pack for UP-D50, UP-51MD, UP-51MDU printers. Includes ink ribbon.	610-757	200 sheets/box
UPC-1010/1 color print pack for UP-1200, UP-1800MD, UP-1850MD, UP-D1500CN printers. Ink cartridge included.	610-395	100 prints/box
UPC-2010/3 color print pack for the UP-2100, UP-2300, UP-D2500, UP-2900MD printers. Ink cartridge included.	610-617	200 prints/box
UPC-3010 color printing pack for UP-3000, UP-3030 printers. Ink cartridge included.	610-247	80 prints/box
UPC-5010A/2 color printing pack for UP-5000, UP-5000W, UP-5200MD printers. Ink cartridge included.	610-555	100 prints/box
UPC-5020A b/w printing pack for UP-5000, UP-5200MD printers. Ink cartridge included.	610-753	100 prints/box
UPC-5510 color printing pack for UP-5500, UP-D5500, UP-5600MD, UP-5600MDU printers. Ink ribbon included for re-loading into existing cartridges.	610-390	200 prints/box
SONY PRINTERS	REF. #	QTY.
SONY UP-D897MD medical grade digital black and white printer	610-995	1
SONY UP-897MD black & white printer	610-953	1
SONY UP-D23MD digital color printer	610-925	1
Digital Recorders	REF. #	QTY.
SONY DVO-1000MD medical grade DVD recorder	610-994	1

Search CIVCO's cross-reference charts for compatible products for use with your PHILIPS Ultrasound System at:
WWW.CIVCO.COM/PHILIPS

What is a cross-reference chart? These simple, easy-to-use charts are organized by ultrasound system and allow you to find compatible needle guides, transducer covers, ultrasound supplies and other accessories recommended by the Original Equipment Manufacturer (OEM).

Philips cross-reference charts available online:

- Apogee
- CX50
- EnVisor
- HD11
- HD11 XE
- HD15
- HD3
- HD6
- HD7
- HD7 XE
- HD9
- HDI 1000/1500
- HDI 3000/3500
- HDI 4000
- HDI 5000/5500cv
- ImagePoint
- SONOS 4500/5500/7500
- UltraMark
- iE33
- iU22

* Visit WWW.CIVCO.COM/PHILIPS to view the latest products available for your PHILIPS Ultrasound System.

Needle Guidance



Equipment Protection



In-Plane Needle Guidance



Infection Prevention



For international distribution, visit CIVCO Worldwide at WWW.CIVCO.COM

Worldwide Headquarters: 102 First Street South, Kalona, Iowa 52247-9589 USA
319/656-4447, 800/445-6741 • Fax: 319/656-4451, 877/329-2482 • WWW.CIVCO.COM

COPYRIGHT © 2011. ALL RIGHTS RESERVED. CIVCO IS A REGISTERED TRADEMARK OF CIVCO MEDICAL SOLUTIONS. CIV-FLEX, INFINITI, MAGGI II PLUS, MULTI-PRO 2000, NEOGUARD, PROCOVERS, QUICK-MOUNT, SURGI, SURGI-BOOT, SURGI-TIP, T-SHAPED SURGI, ULTRA-PRO II, ULTRA-PRO 3 AND ULTRA-PRO E ARE ALL TRADEMARKS OF CIVCO. ALL OTHER TRADEMARKS ARE THE PROPERTY OF THEIR RESPECTIVE OWNERS. ALL PRODUCTS MAY NOT BE LICENSED IN ACCORDANCE WITH CANADIAN LAW. CIVCO PRODUCT NAMES MAY BE COVERED BY ONE OF THE FOLLOWING U.S. PATENT NOS. 5,941,889 AND 6,379,307. PRINTED IN USA 2011R-2533