

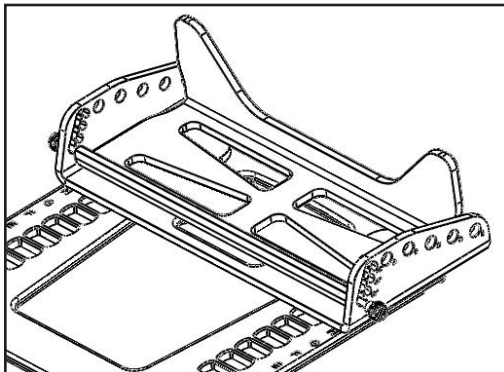
Set-up Sheet - Combifix™

Patient: _____ Date: _____

Notes: _____

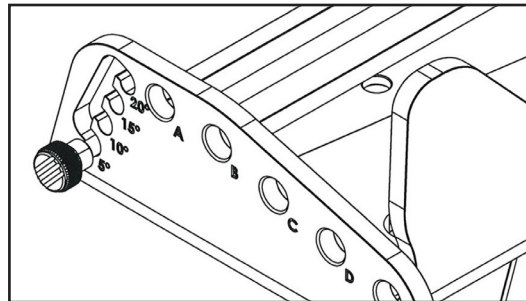
1. Lok-Bars™ are indexed to table at (i.e. H1, F2): _____

2. Feetfix Couch Support Position



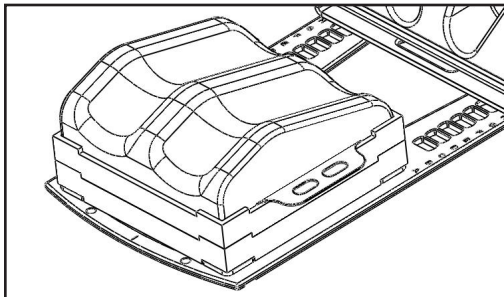
Indexed to Combifix at (circle one)
 A B C D E F G H

3. Feetfix Couch Support Rotation



(circle one)
 5° 10° 15° 20°

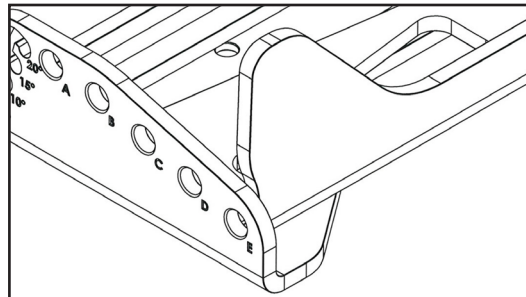
4. Number of Kneefix Style & Elevation Blocks



Kneefix Style (circle one)
 Standard Low

Number of Elevation Blocks (circle one)
 0 1 2

5. Shoulder Retractor Settings (if used)



Shoulder Retractor Used (circle one)
 Standard (red handle) Short (black handle)

Shoulder Retractor Set at (circle one)
 A B C D E

Note: The Feetfix Couch Support can be utilized without the Combifix, if using the Feetfix Couch Support alone skip step 2.



800.842.8688 | 712.737.8688 | WWW.CIVCO.COM