

# Set-up Sheet - Prone Breast Positioner, MT-MP-01

Patient: \_\_\_\_\_

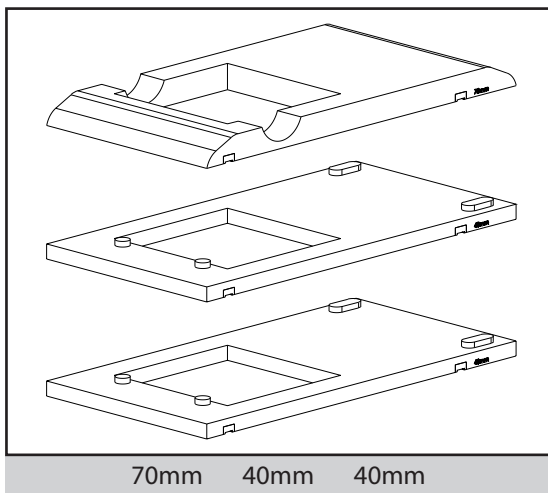
Date: \_\_\_\_\_

Notes: \_\_\_\_\_

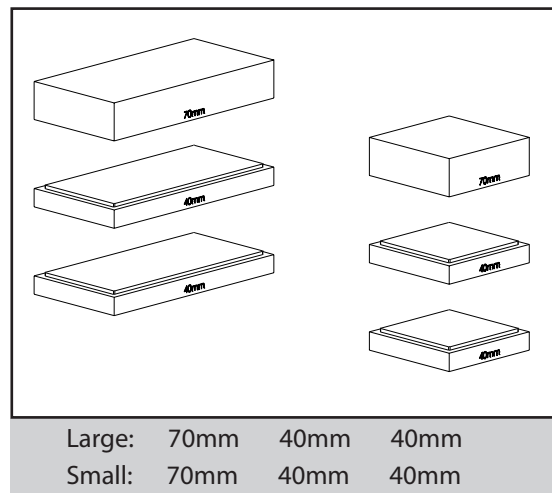
\_\_\_\_\_

1. The Lok-Bar™ is indexed to the table at (i.e. H1, F2): \_\_\_\_\_

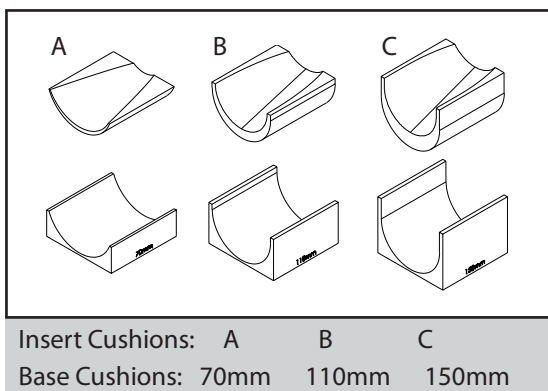
2. Cushions A: (circle all that apply)



3. Cushions B: (circle all that apply)



4. Cushions C: (circle all that apply)



800.842.8688 | 712.737.8688 | WWW.CIVCO.COM

COPYRIGHT © 2007. CIVCO IS A REGISTERED TRADEMARK OF CIVCO MEDICAL SOLUTIONS. LOK-BAR IS A TRADEMARK OF CIVCO. ALL PRODUCTS MAY NOT BE LICENSED IN ACCORDANCE WITH CANADIAN LAW. 2007R-0327