

TRANSDUCER STORAGE RACK

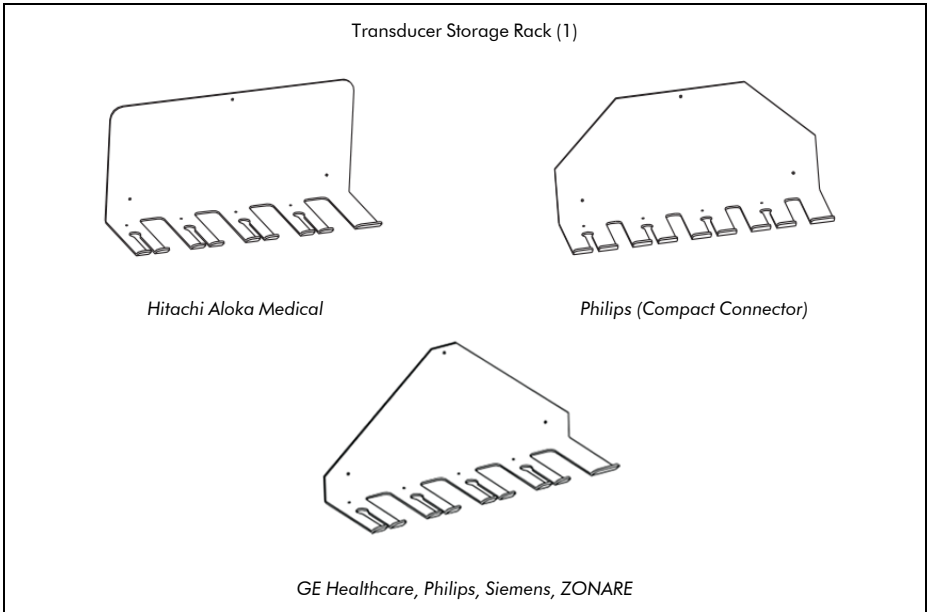
REFERENCE GUIDE



WARNING

- To prevent electrical or wall damage, it is recommended the transducer storage rack be installed by the facilities department.
- Before attaching, you should have a screwdriver and level.

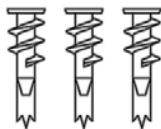
LIST OF COMPONENTS



Transducer Stabilizer
Sold Separately



Flat Washers
Nylon, #10 (3)



Anchors (3)



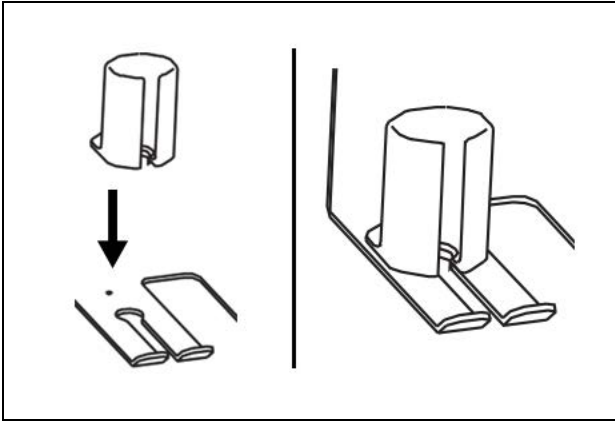
Screws (3)

NOTE: Contact CIVCO to order transducer stabilizers (610-957).
Phone: 800.445.6741 • www.civco.com.

ASSEMBLY

1. Place transducer storage rack against wall and level.
2. Mark the location of the three mounting holes.
3. Secure anchor bolts to wall with screwdriver.
4. Mount transducer storage rack to anchor bolts using screws and washers.
5. Install rack probe support into desired location.

TRANSDUCER STABILIZER PLACEMENT



CLEANING

WARNING

- *Users of this product have an obligation and responsibility to provide the highest degree of infection control to patients, co-workers and themselves. To avoid cross-contamination, follow infection control policies established by your facility.*

1. Wipe all surfaces with common germicidal or antiseptic wipe, such as alcohol.



CIVCO Medical Instruments Co., Inc.
102 First Street South, Kalona, IA 52247-9589
319.248.6757, 800.445.6741
Fax: 319.248.6660, 877.329.2482

COPYRIGHT © 2021 ALL RIGHTS RESERVED. CIVCO IS A REGISTERED TRADEMARK OF CIVCO MEDICAL SOLUTIONS. ALL OTHER TRADEMARKS ARE PROPERTY OF THEIR RESPECTIVE OWNERS. PRINTED IN USA. ALL PRODUCTS MAY NOT BE LICENSED IN ACCORDANCE WITH CANADIAN LAW.

WWW.CIVCO.COM

2021-09-24 043-566K