



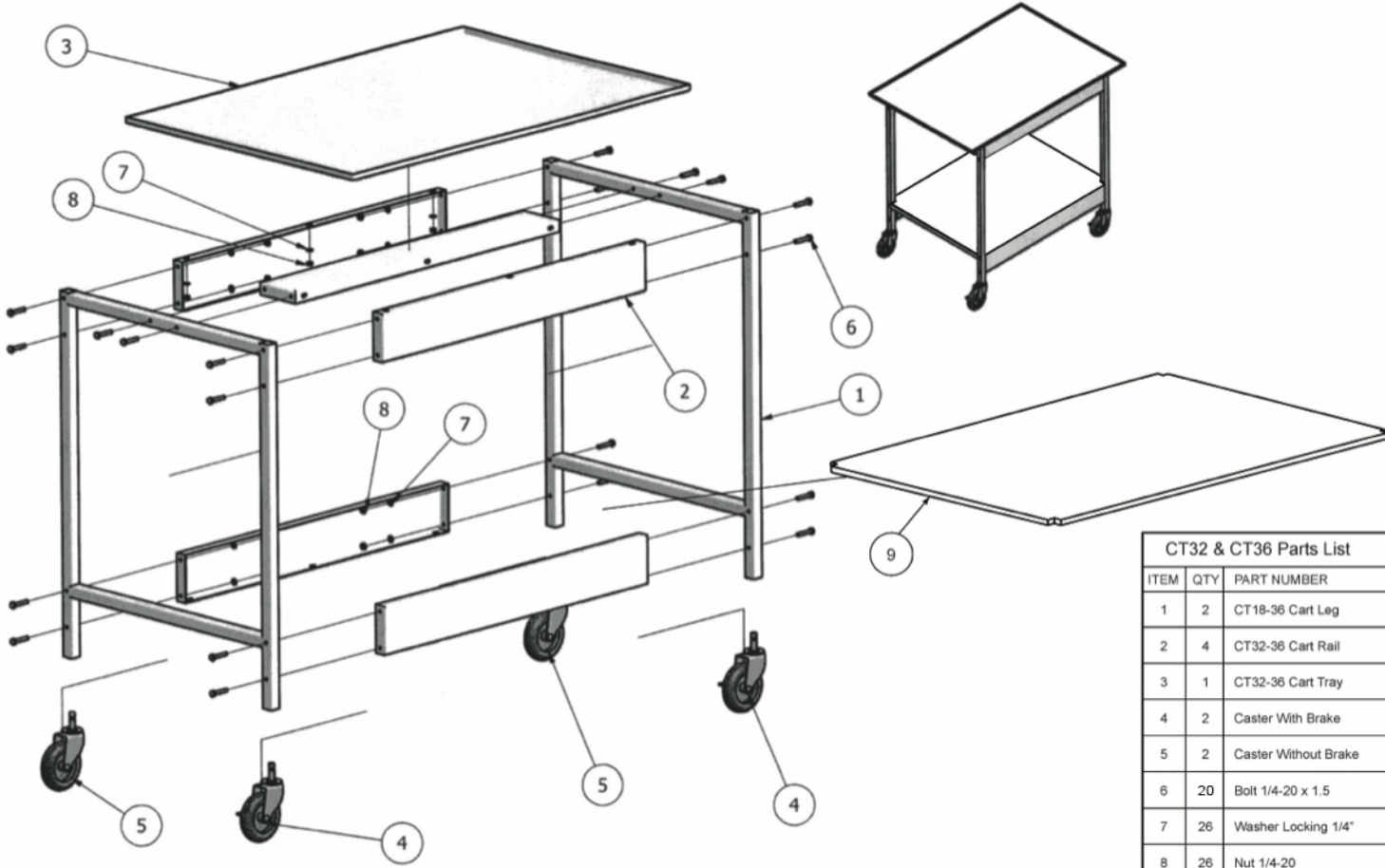
## Assembly Instructions

### CT32 – CT36 Carts

1. Unpack all items and separate. Check quantities using the chart on the assembly drawing.
2. Loosely connect the five Cart Rails (2) to Cart Leg (1) using  $\frac{1}{4}$ -20 x 1.5" bolts (6), locking washers (7), and  $\frac{1}{4}$ -20 nuts (8).
3. Loosely assemble second Cart Leg to the cart rails.
4. Turn unit upside down on a flat surface and insert casters into open bottom of legs. Make sure locking wheels are positioned on the same side per assembly drawing. You may have to use a hammer to fully insert the casters.
5. Turn unit upright on the wheels and place Cart Tray (3) onto frame, making sure to line up threaded studs on the bottom of the tray with the holes in the frame.
6. Fasten tray in position with nuts and washers supplied.
7. Tighten all fasteners fully once top is in place.
8. Position lower shelf in place.
9. Unit is now ready to accept the GUS<sup>®</sup> Disinfection Soak Station.

If you have any questions or concerns, please call CIVCO Medical Solutions at:  
**1-800-445-6741**

102 First Street South • Kalona, IA 52247 • Tel: (800) 445-6741 • Fax: (877) 329-2482 • WWW.CIVCO.COM



CT32 & CT36 Parts List		
ITEM	QTY	PART NUMBER
1	2	CT18-36 Cart Leg
2	4	CT32-36 Cart Rail
3	1	CT32-36 Cart Tray
4	2	Caster With Brake
5	2	Caster Without Brake
6	20	Bolt 1/4-20 x 1.5
7	26	Washer Locking 1/4"
8	26	Nut 1/4-20
9	1	CT32-36 Lower Tray